



Serve-over VELVET L STYLE



Epta S.p.A. participates in the ECC programme for:
Refrigerated display cabinets (RDC). Check ongoing validity
of certificate online: www.eurovent-certification.com
or using: www.certiflash.com



Product categories



Technical features

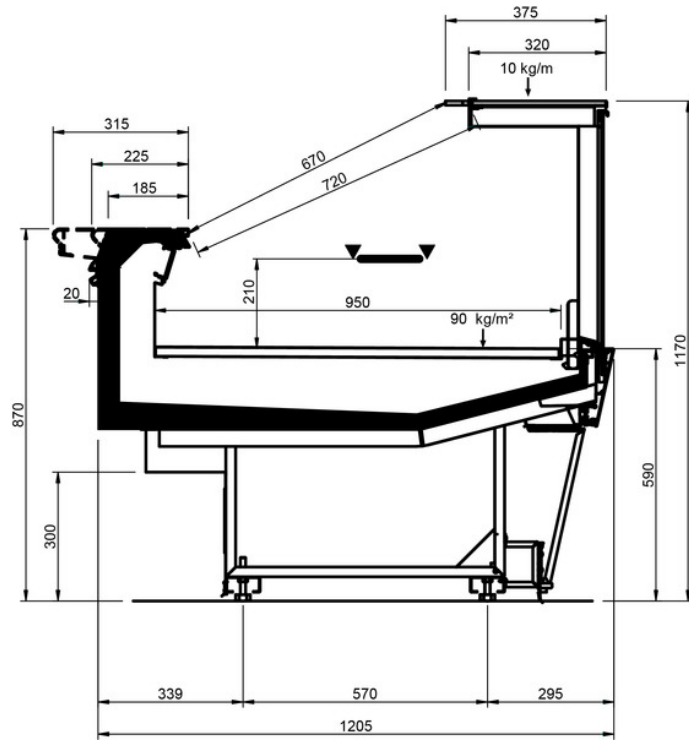




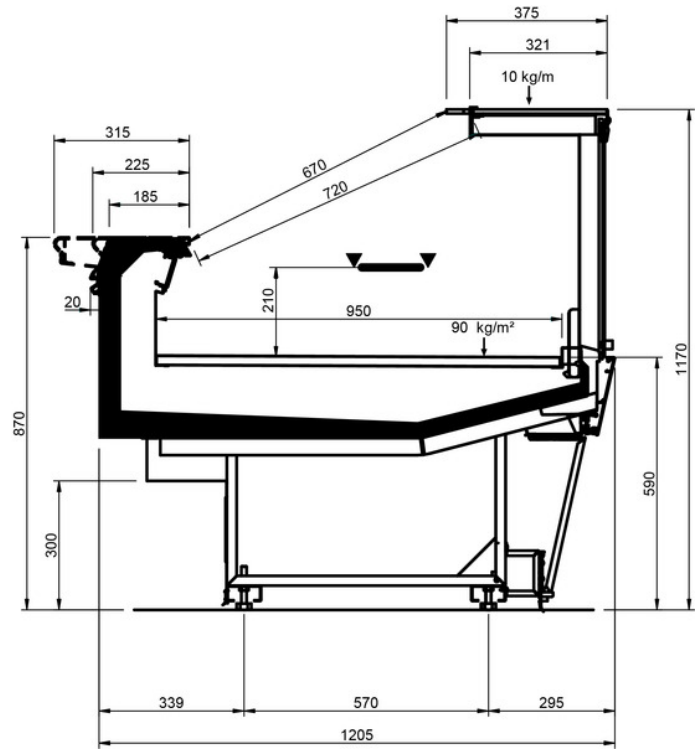
		VELVET L STYLE						
Length mm		937	1250	2500	3750	MAA 90	MAA 45	MAC 45
VELVET L STYLE	RDB	•	•	•	•			
	RDA	•	•	•	•	•	•	
	WO	•	•	•	•		•	•
	RCA	•	•	•	•	•	•	•
	RCB	•	•	•	•	•	•	•
	LS	•	•	•	•	•	•	•



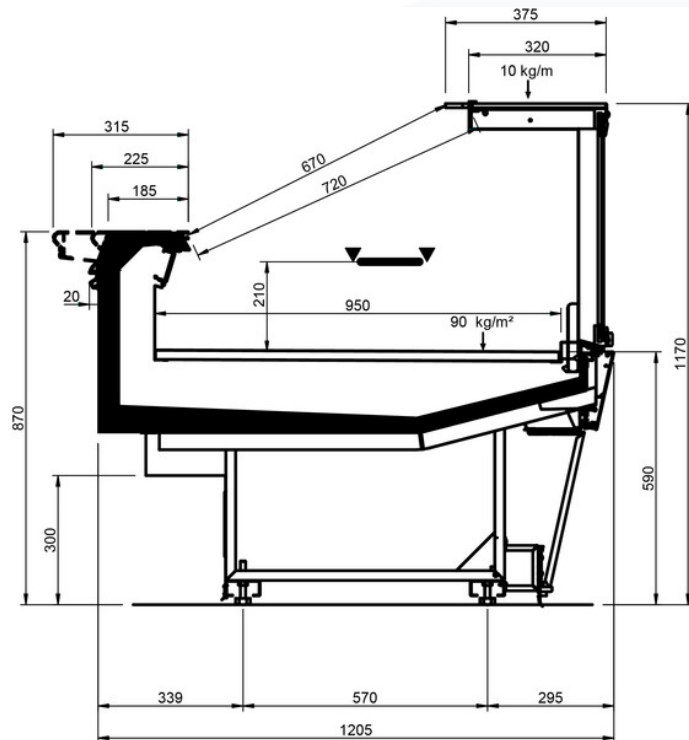
VELVET L STYLE RDB



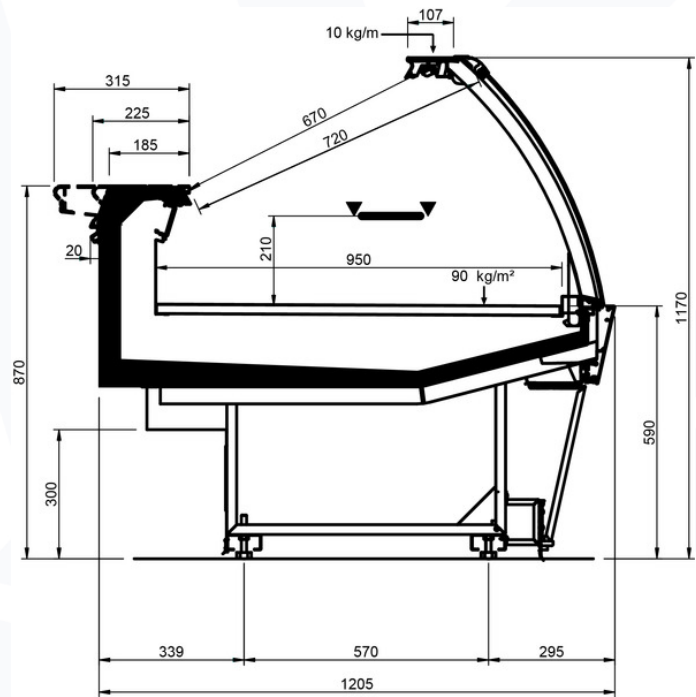
VELVET L STYLE RDA



VELVET L STYLE WO

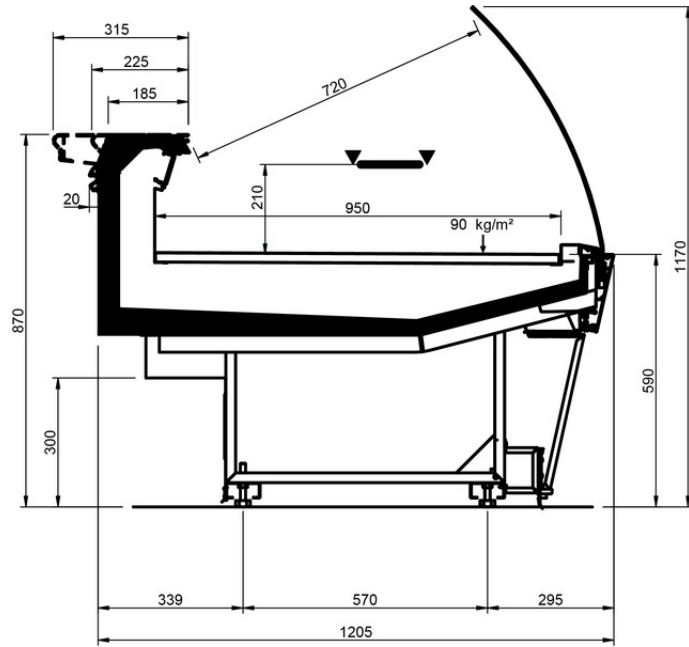


VELVET L STYLE RCA

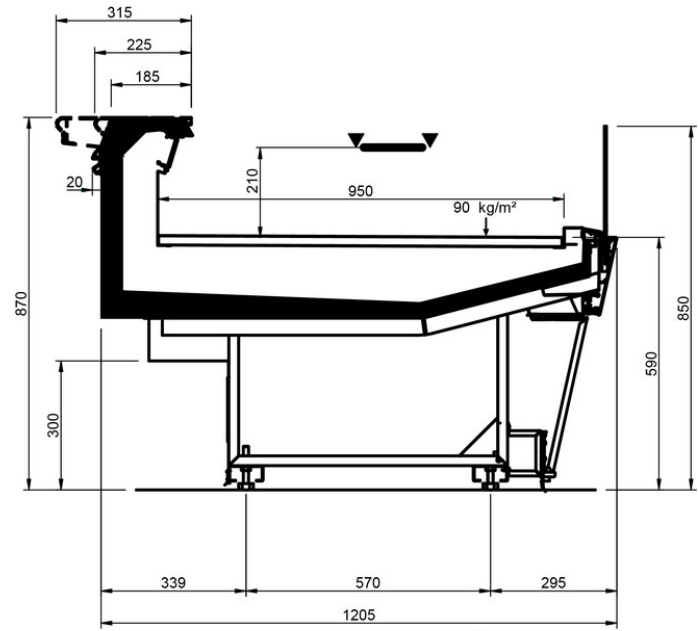




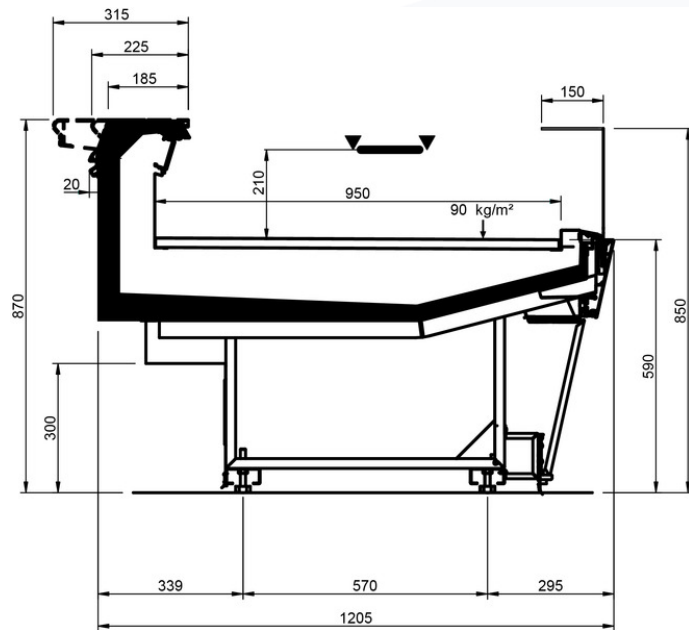
VELVET L STYLE RCB



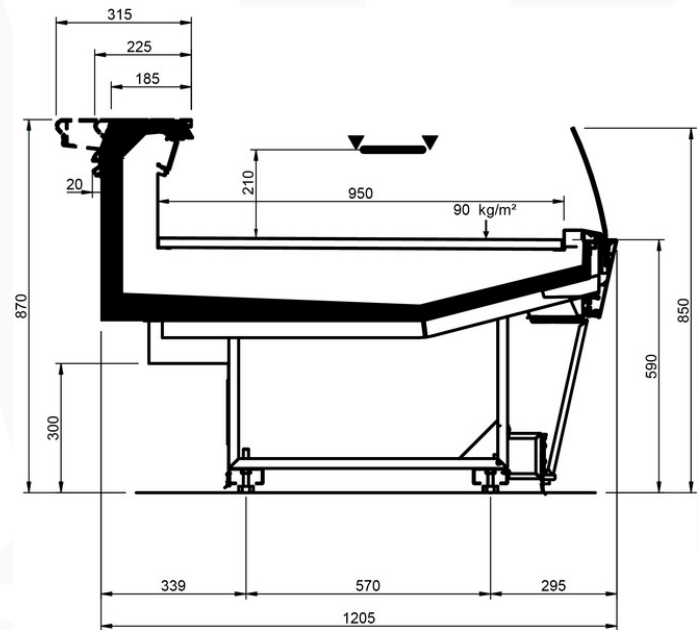
VELVET L STYLE LS-D



VELVET L STYLE LS-U

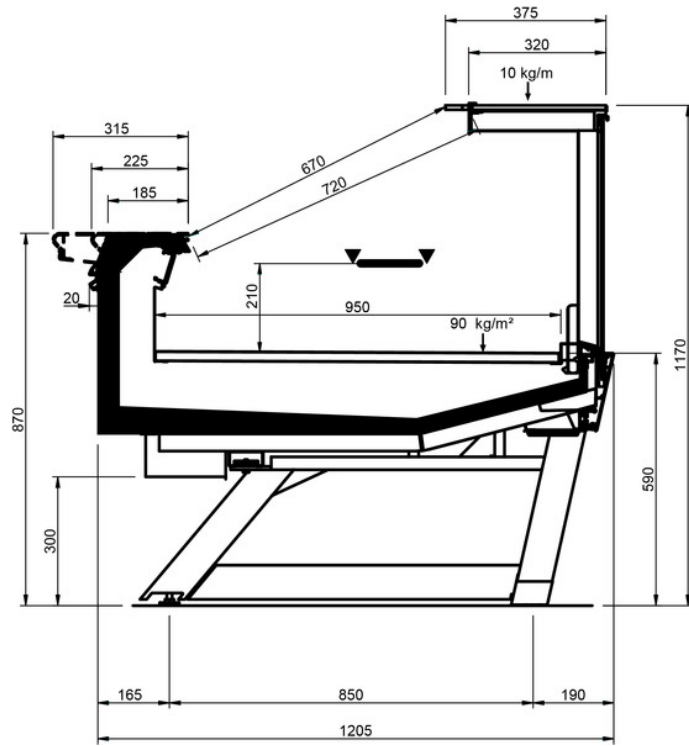


VELVET L STYLE LS-C

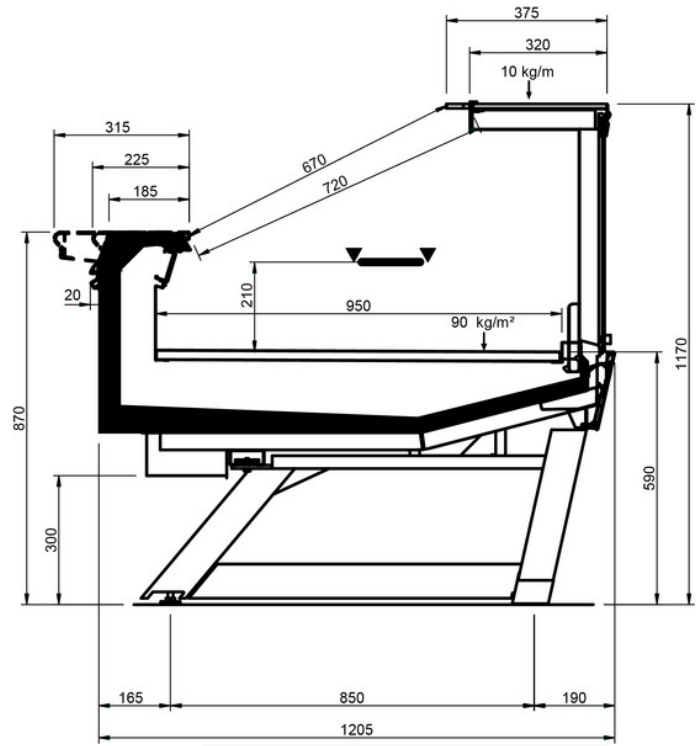




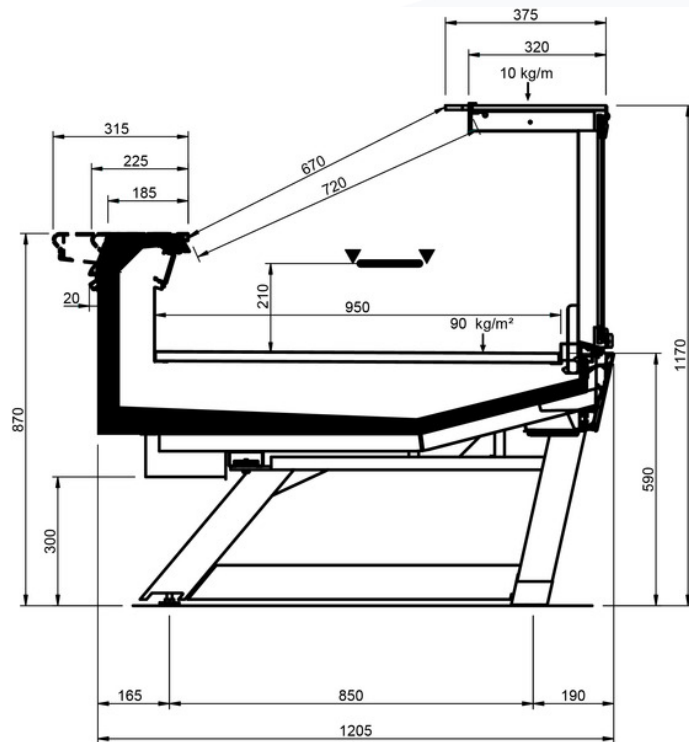
VELVET L STYLE LEGS RDB



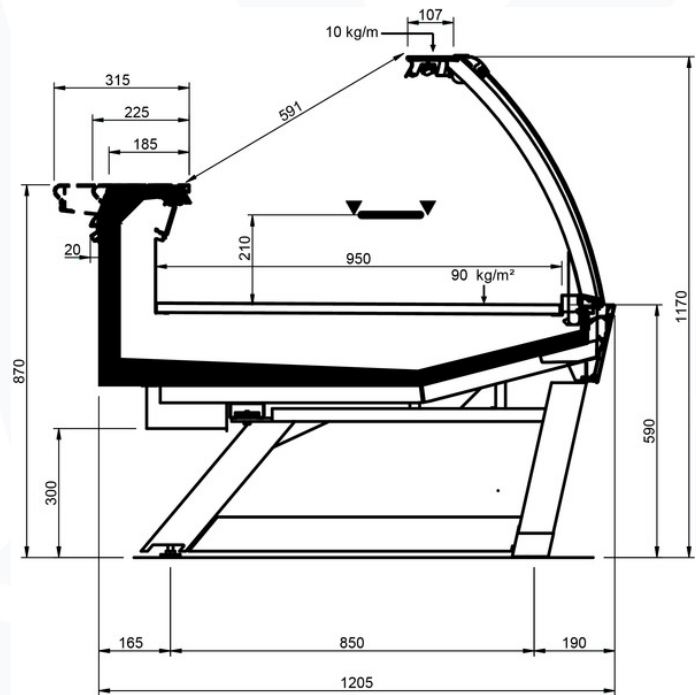
VELVET L STYLE LEGS RDA



VELVET L STYLE LEGS WO

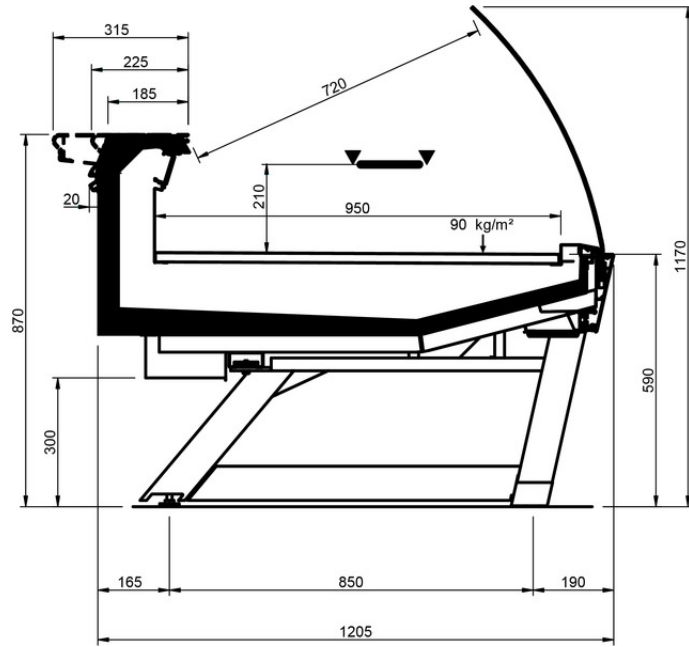


VELVET L STYLE LEGS RCA

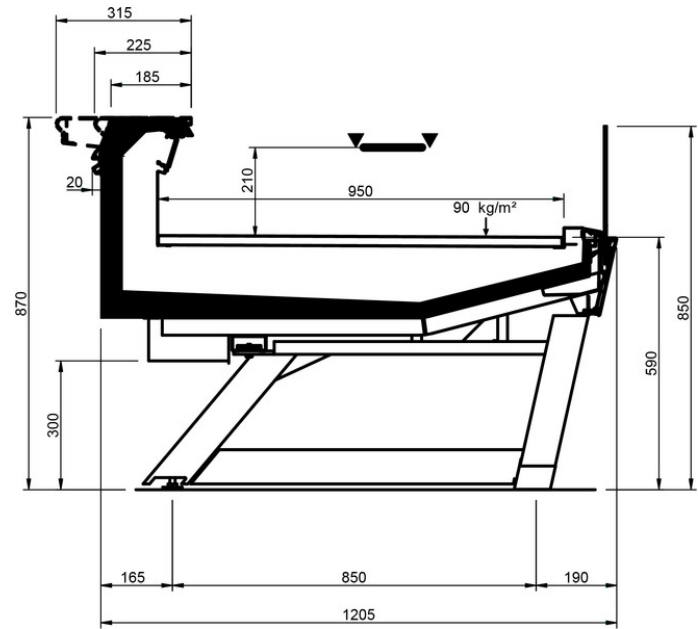




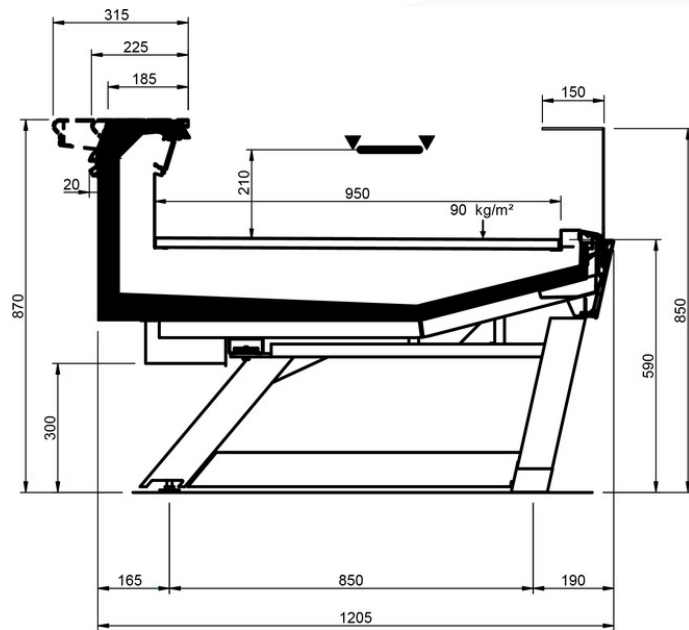
VELVET L STYLE LEGS RCB



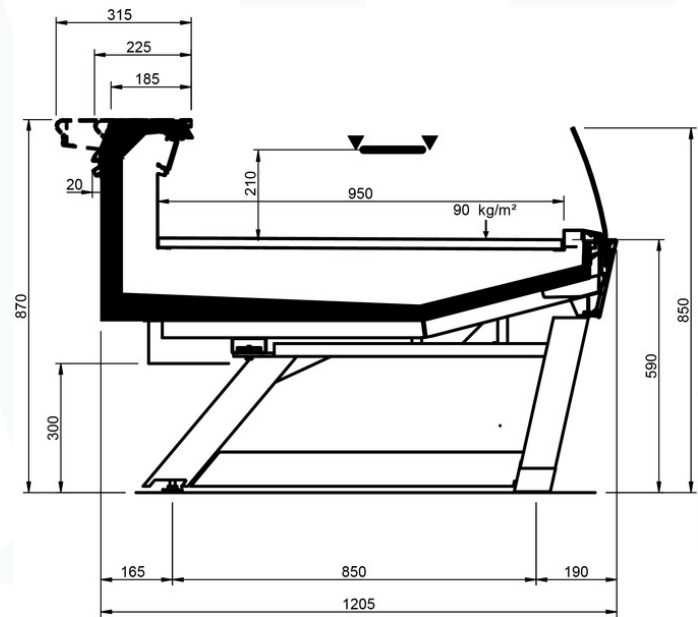
VELVET L STYLE LEGS LS-D



VELVET L STYLE LEGS LS-U



VELVET L STYLE LEGS LS-C





Legend

 Meat	 Chicken	 Fish	 Pre-packed fish
 Delicatessen	 Cheese	 Dairy products	 Gastronomy
 Pastries	 Pre-packed fruit and vegetables	 Fruits and Vegetables	 Sandwiches
 Drinks	 Pizza	 Bread	 Frozen food and ice cream
 Off-cycle defrost	 Electric defrost	 Hot-gas defrosting system	 Manual defrost
 Ventilated	 Static	 Incorporated condensing unit	 Remote condensing unit
 Bagnomaria	 Ceramic glass	 Ice	 VSD Inverter technology
 LED lighting	 Zero C doors	 High efficiency fans	 R290 Propane refrigerant gas (R290)
 R134a R-134a - 400V/3PH/50Hz	 R404A R404A - 400V/3PH/50Hz	 R744 R744 - 400V/PH/50Hz	 Compressor hermetic reciprocating
 Hermetic scroll compressor	 Semi-hermetic reciprocating compressor	 VSD Inverter technology	 External installation
 Machinery room	 Soundproof housing	 On board condenser	 Remote condenser
 DUAL Medium & Low temperature	 Technokleen	 Thin Tech	 EB