



Serve-over BELLINI 90



Product categories



Technical features



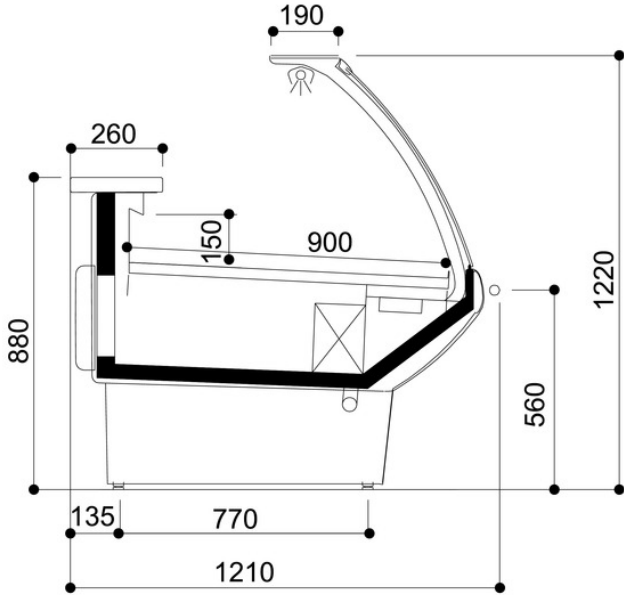


BELLINI 90

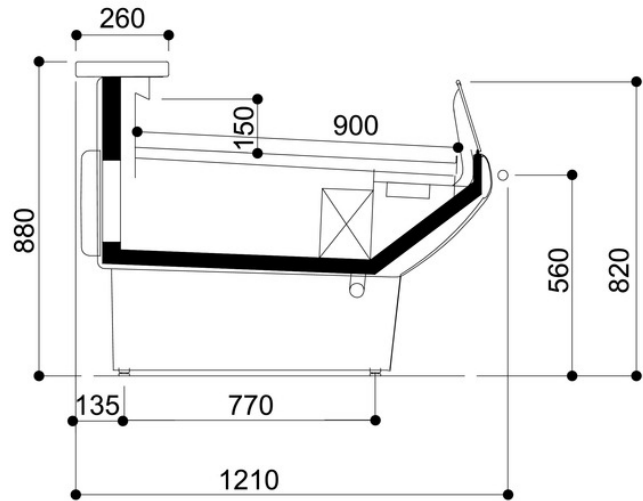
Length mm		937	1250	1563	1875	2500	3125	3750	MAC45 +937	937+MA C45	MAA90+ 937	937+MA A490	MAC90 +937	937+MA C90
BELLINI 90	TC	•	•											
	RCA		•	•	•	•	•	•	•	•	•	•	•	•
	LS		•	•	•	•	•	•	•	•	•	•	•	•



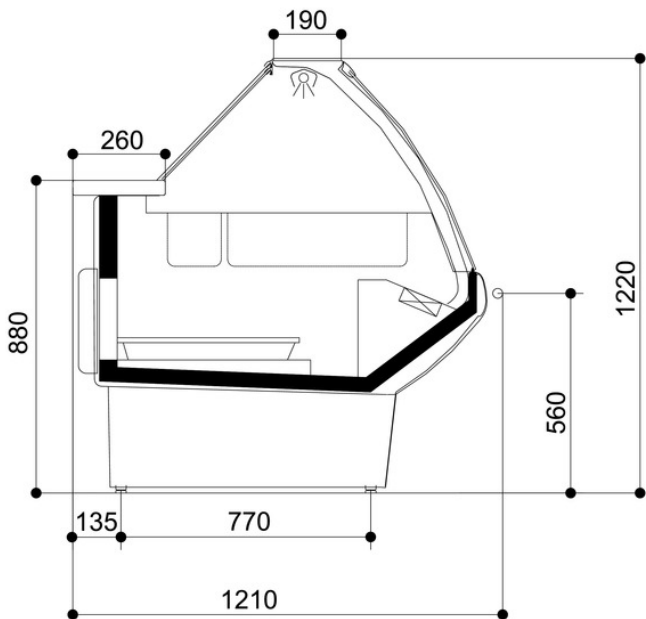
RCA



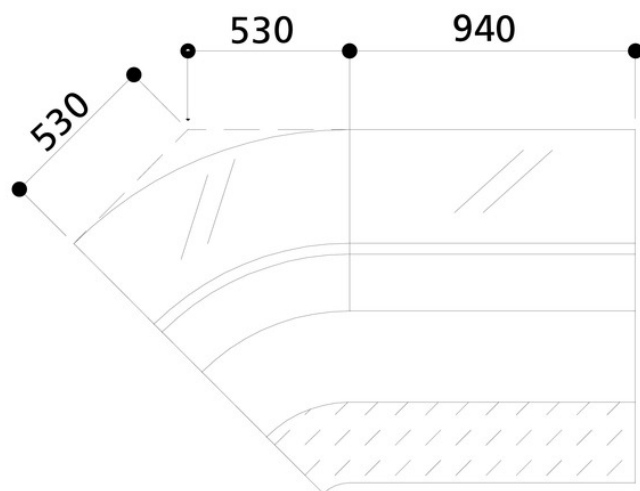
LS



TC

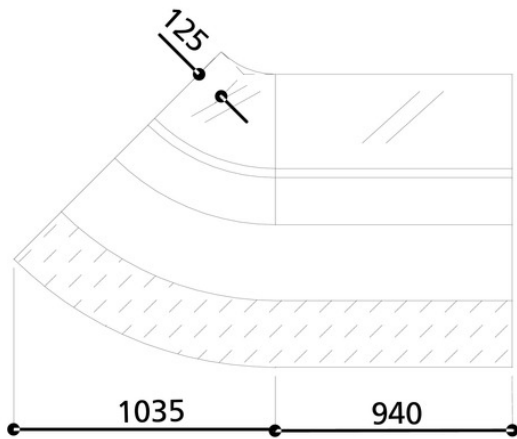


MAA45°

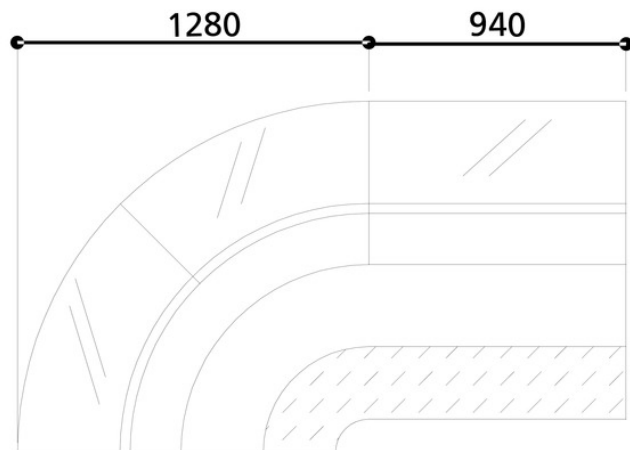




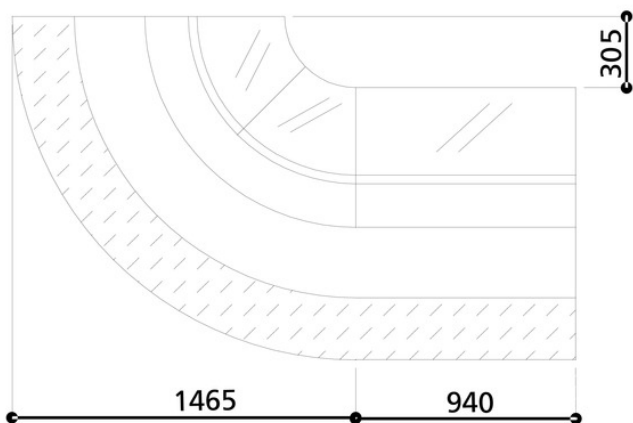
MAC45°



MAA90°



MAC90°





Legend

 Meat	 Chicken	 Fish	 Pre-packed fish
 Delicatessen	 Cheese	 Dairy products	 Gastronomy
 Pastries	 Pre-packed fruit and vegetables	 Fruits and Vegetables	 Sandwiches
 Drinks	 Pizza	 Bread	 Frozen food and ice cream
 Off-cycle defrost	 Electric defrost	 Hot-gas defrosting system	 Manual defrost
 Ventilated	 Static	 Incorporated condensing unit	 Remote condensing unit
 Bagnomaria	 Ceramic glass	 Ice	 VSD Inverter technology
 LED lighting	 Zero C doors	 High efficiency fans	 R290 Propane refrigerant gas (R290)
 R134a R-134a - 400V/3PH/50Hz	 R404A R404A - 400V/3PH/50Hz	 R744 R744 - 400V/PH/50Hz	 Compressor hermetic reciprocating
 Hermetic scroll compressor	 Semi-hermetic reciprocating compressor	 VSD Inverter technology	 External installation
 Machinery room	 Soundproof housing	 On board condenser	 Remote condenser
 DUAL Medium & Low temperature			