



Chilled vertical cabinets AERIA UP



Product categories



Technical features

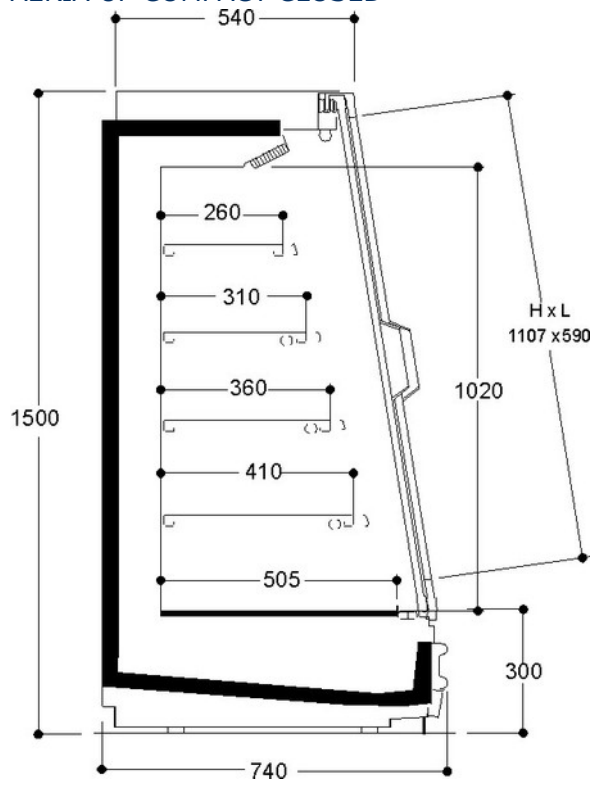




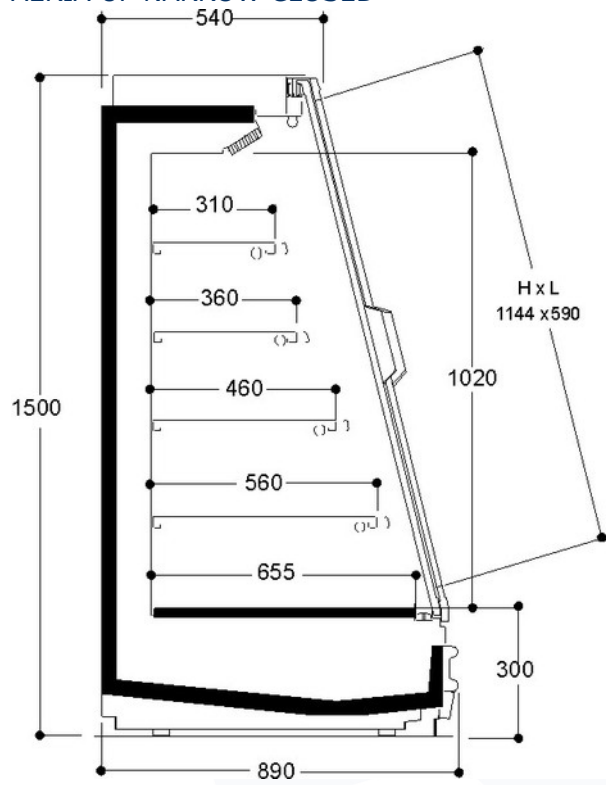
AERIA UP																			
Length mm			1250		1875		2500		3750		MT2000		MT1490		MT1790		MT2310		
Height mm			15	14	15	14	15	14	15	14	15	14	15	14	15	14	15	14	
AERIA UP	Compact	CLOSED	•		•		•		•										
		OPEN	•	•	•	•	•	•	•	•			•	•					
	Narrow	CLOSED	•		•		•		•		•								
		OPEN	•	•	•	•	•	•	•	•	•	•			•	•	•		
	Large	CLOSED	•		•		•		•		•								
		OPEN	•	•	•	•	•	•	•	•	•				•		•	•	



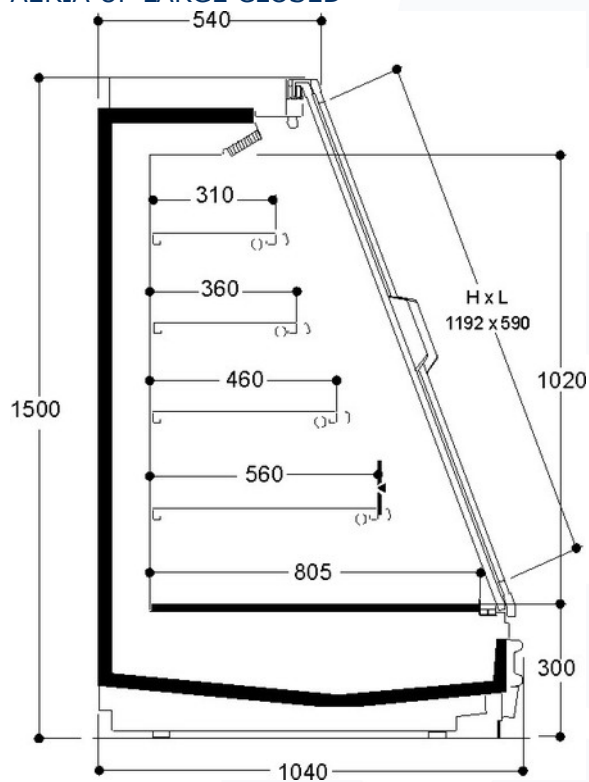
AERIA UP COMPACT CLOSED



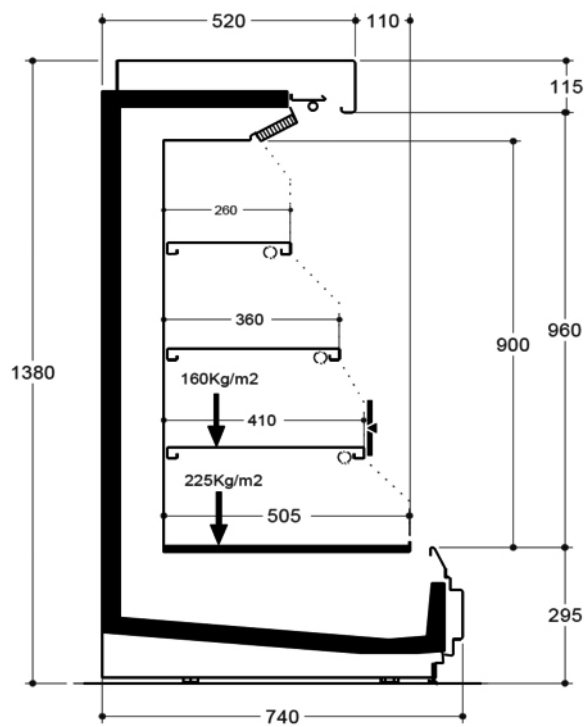
AERIA UP NARROW CLOSED



AERIA UP LARGE CLOSED

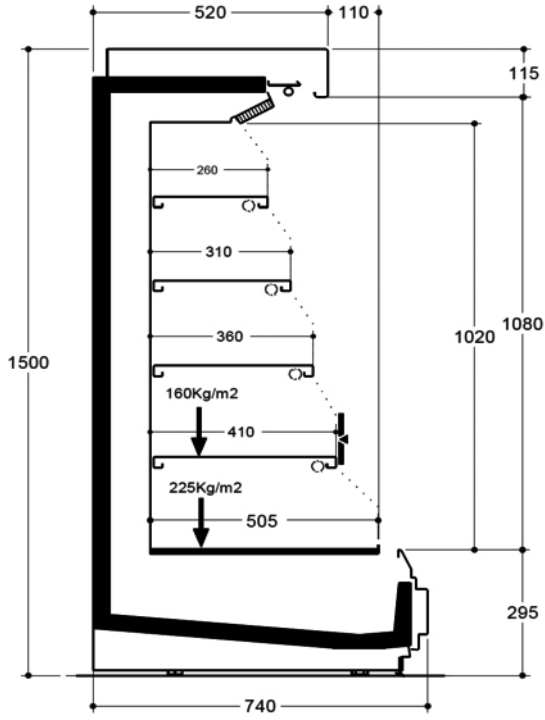


AERIA UP 14 COMPACT OPEN

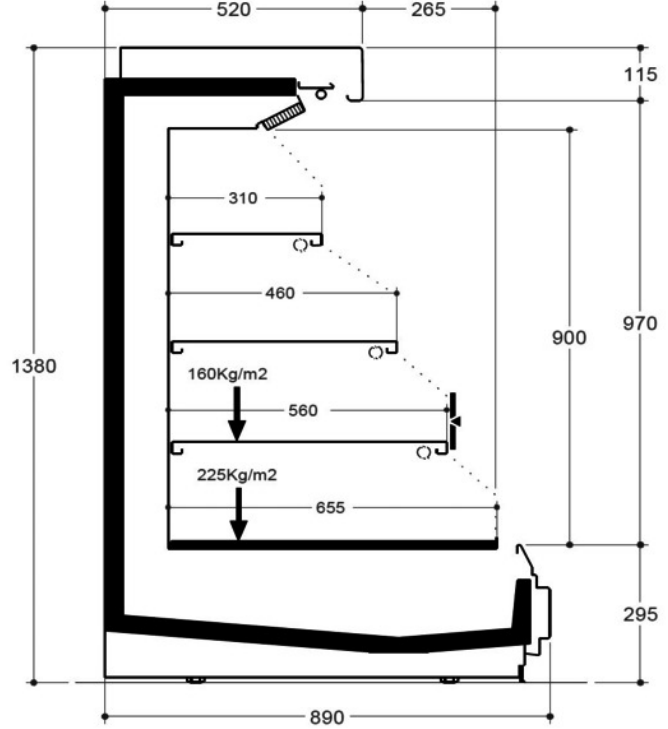




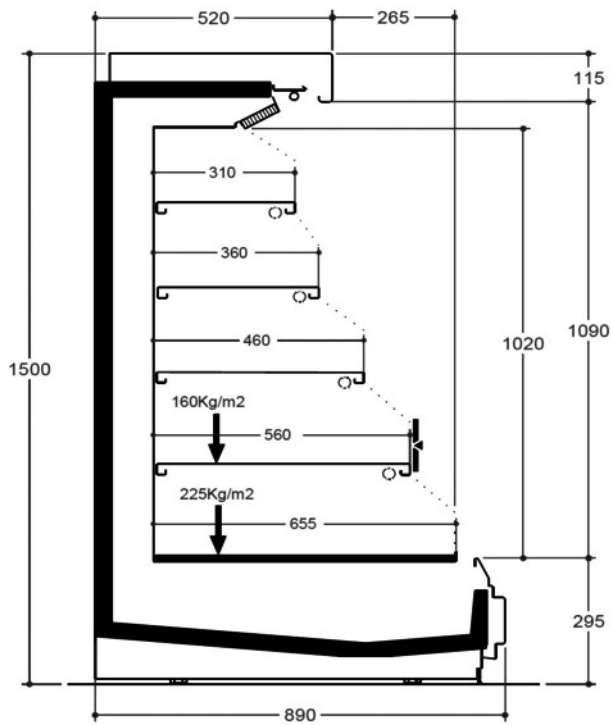
AERIA UP 15 COMPACT OPEN



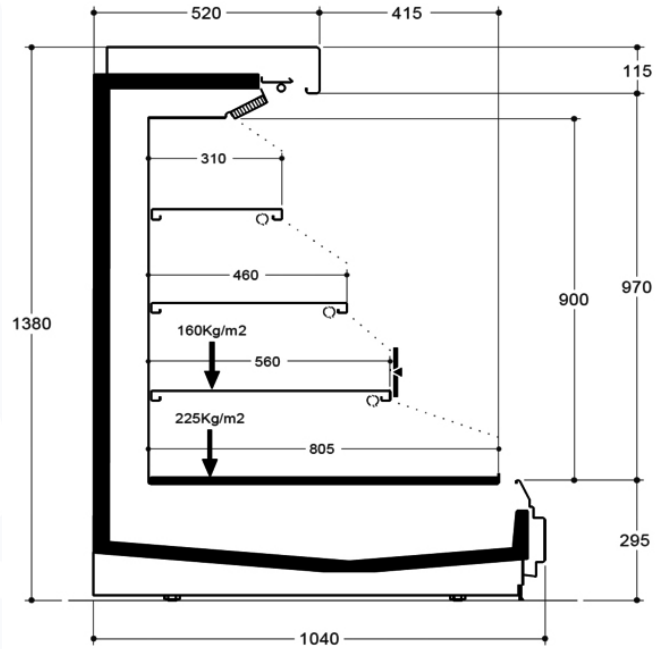
AERIA UP 14 NARROW OPEN



AERIA UP 15 NARROW OPEN

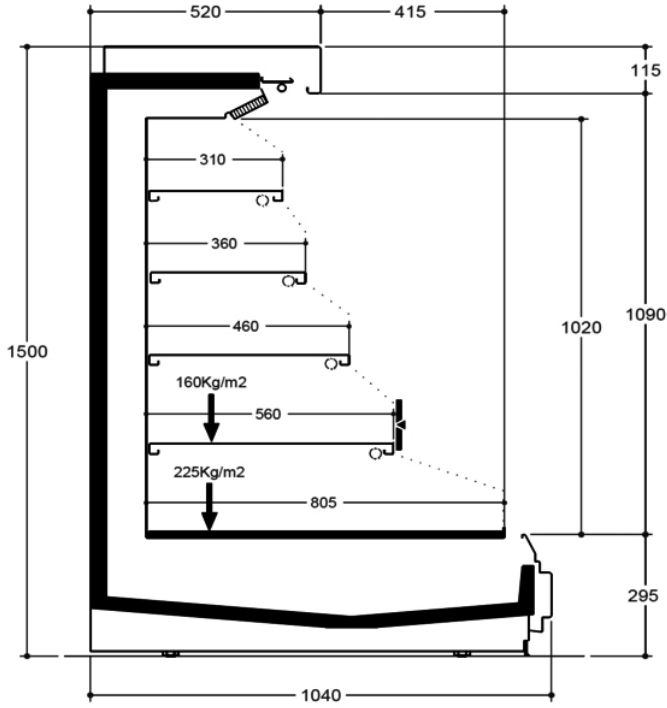


AERIA UP 14 LARGE OPEN





AERIA UP 15 LARGE OPEN





Legend

 Meat	 Chicken	 Fish	 Pre-packed fish
 Delicatessen	 Cheese	 Dairy products	 Gastronomy
 Pastries	 Pre-packed fruit and vegetables	 Fruits and Vegetables	 Sandwiches
 Drinks	 Pizza	 Bread	 Frozen food and ice cream
 Off-cycle defrost	 Electric defrost	 Hot-gas defrosting system	 Manual defrost
 Ventilated	 Static	 Incorporated condensing unit	 Remote condensing unit
 Bagnomaria	 Ceramic glass	 Ice	 VSD Inverter technology
 LED lighting	 Zero C doors	 High efficiency fans	 R290 Propane refrigerant gas (R290)
 R134a R-134a - 400V/3PH/50Hz	 R404A R404A - 400V/3PH/50Hz	 R744 R744 - 400V/PH/50Hz	 Compressor hermetic reciprocating
 Hermetic scroll compressor	 Semi-hermetic reciprocating compressor	 VSD Inverter technology	 External installation
 Machinery room	 Soundproof housing	 On board condenser	 Remote condenser
 DUAL Medium & Low temperature	 Technokleen	 Thin Tech	 EB